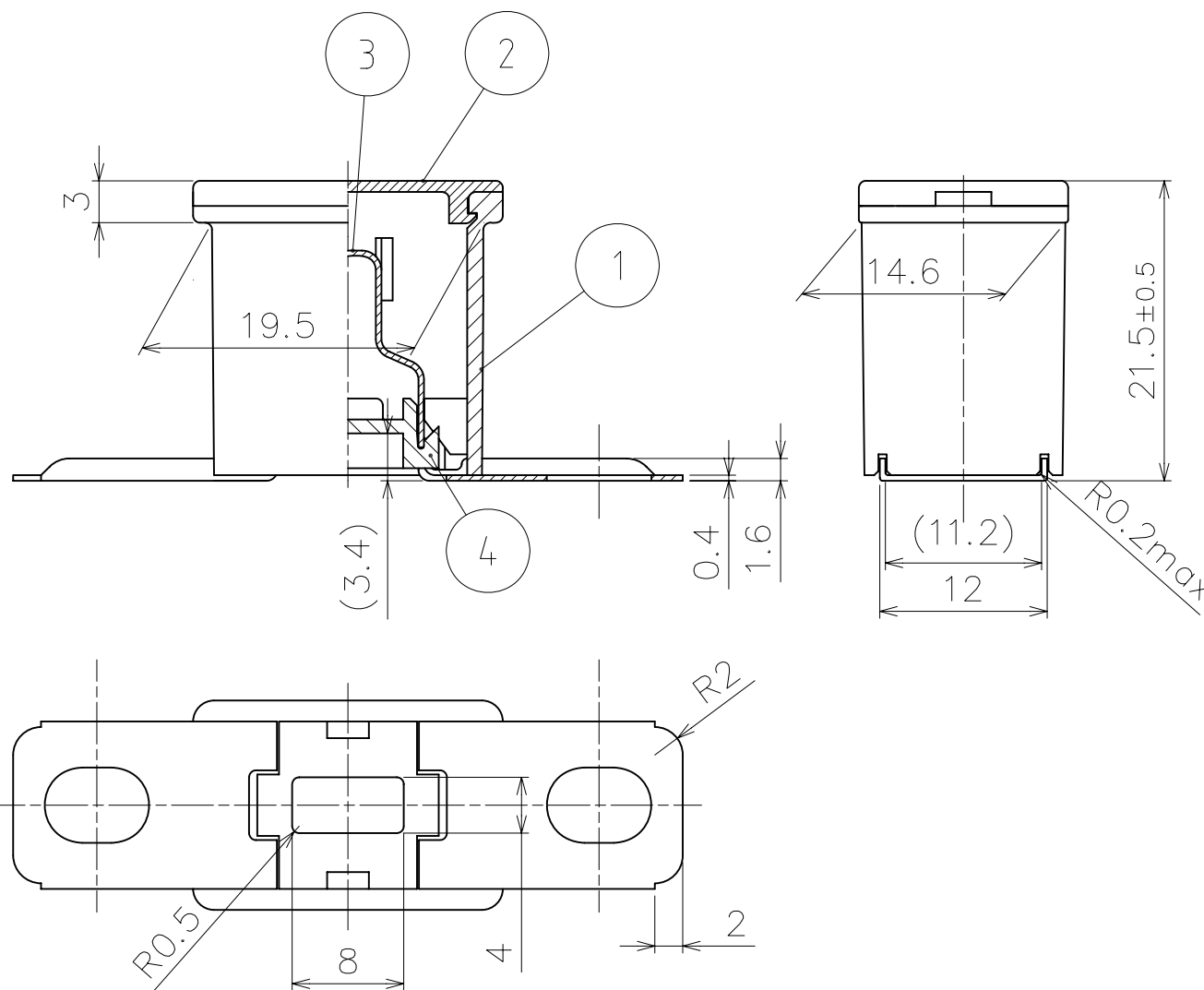
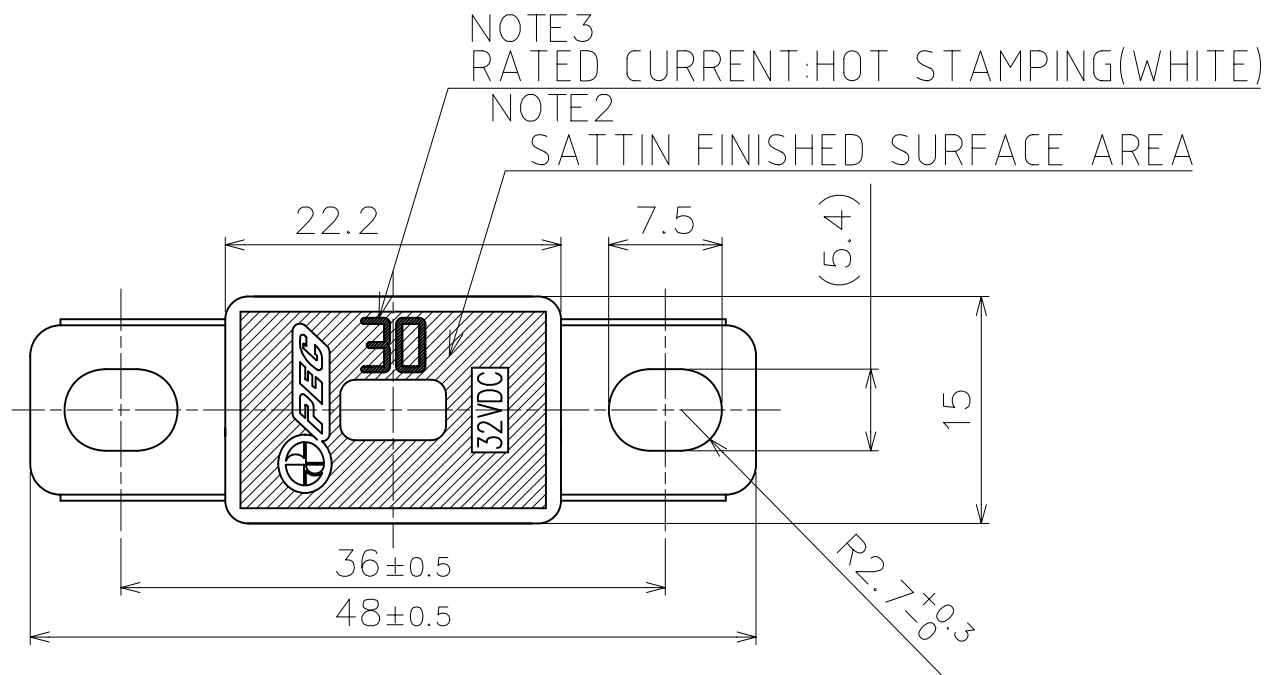


NO.	DATE	REVISION RECORDS	REVISED	REVISION NO.



NOTES

- 1.THIS SHOWS SBFC-CT 30A,ANOTHER IS DIFFERENT IN HOUSING COLOR AND INDICATION OF COVER.
- 2.SATTIN FINISHED SURFACE AREA SHALL END WITHIN THE EDGE OF R.
- 3,AMPERE RATING SHALL BE MARKED EITHER ON THE INDICATED POSITION IN THIS DRAWING OR THE SAME POSITION WHEN THE COVER IS REVOLVED BY 180°

AMP.RATING	HOUSING COLOR CODE	PACIFIC PART NUMBER
30A	PINK	32330011
40A	GREEN	32430011
50A	RED	32530011
60A	YELLOW	32630011
70A	BROWN	32730011
80A	BLACK	32830011
100A	BLUE	33030011
120A	WHITE	33230021
140A	REDDISH BROWN	33430011

4	---	UNDER COVER	1	PA66	---	---
3	---	ELEMENT	1	Cu Alloy	---	---
2	---	TOP COVER	1	PAR	---	---
1	---	HOUSING	1	PA66: ≤60A,PA6T≥70A	---	---
NO.	PART NO.	PART NAME	Q'TY	MATERIAL	SIZE	REMARKS

APPROVED	<i>Y. Ota</i>	DIMENSION TOLERANCE	ANGULAR TOLERANCE	FINISH	
CHECKED	<i>ml</i>	±0.2	-	-	
DESIGNED	<i>J. Kobayashi</i>	RUST PREVENTION	MATERIAL		
DRAWN	<i>M. Tsunasaki</i>	-	SEE TABLE		


SCALE	UNIT	DIAGRAM METHOD	PART NAME
2:1	mm	THIRD ANGLE PROJECTION	SBFC-CT
DRAWING DATE	DRAWING NAME	3D CAD DATA	PART NO.
16/APR/14	G3233-0-2	-	SEE TABLE

Pacific Engineering Corporation

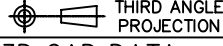
SHEET	SIZE
1 / 2	A3

NO.	DATE	REVISION RECORDS	REVISED	REVISION NO.

Packaging specification

	Inner packaging	Outer packaging
Material	_____	Cardboard box(390×260×121)
seal of part no.	_____	ID tag
Marking	_____	
Capacity	_____	500pcs
Method	1.Pack the specified quantity of fuses into the cardboard box . 2.Seal the cardboard box with PP Tape and put the ID tag on the side of the box (Prescribed place).	

packaging information

NO.	PART NO.	PART NAME	Q'TY	MATERIAL	SIZE	REMARKS
APPROVED	<i>Ch. Oata</i>	DIMENSION TOLERANCE	ANGULAR TOLERANCE	FINISH		
CHECKED	<i>ml</i>	REFER TO 1/2	-	-		
DESIGNED	<i>T. Kobayashi</i>	RUST PREVENTION	MATERIAL			
DRAWN	<i>M. Tsunasaki</i>	-	REFER TO 1/2			
SCALE	UNIT	DIAGRAM METHOD	PART NAME			
2:1	mm	 THIRD ANGLE PROJECTION	SBFC-CT			
DRAWING DATE	DRAWING NAME	3D CAD DATA	PART NO.			
16/APR/14	G3233-0-2	-	REFER TO 1/2			
Pacific Engineering Corporation					SHEET	SIZE
					2 / 2	A3