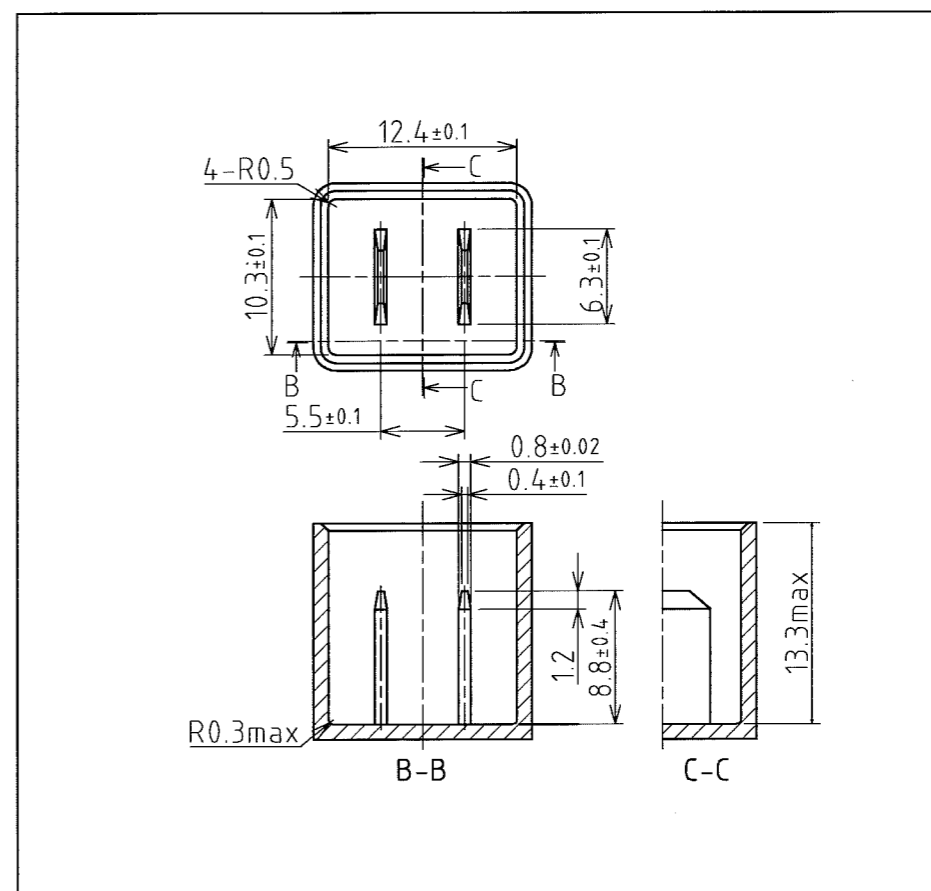
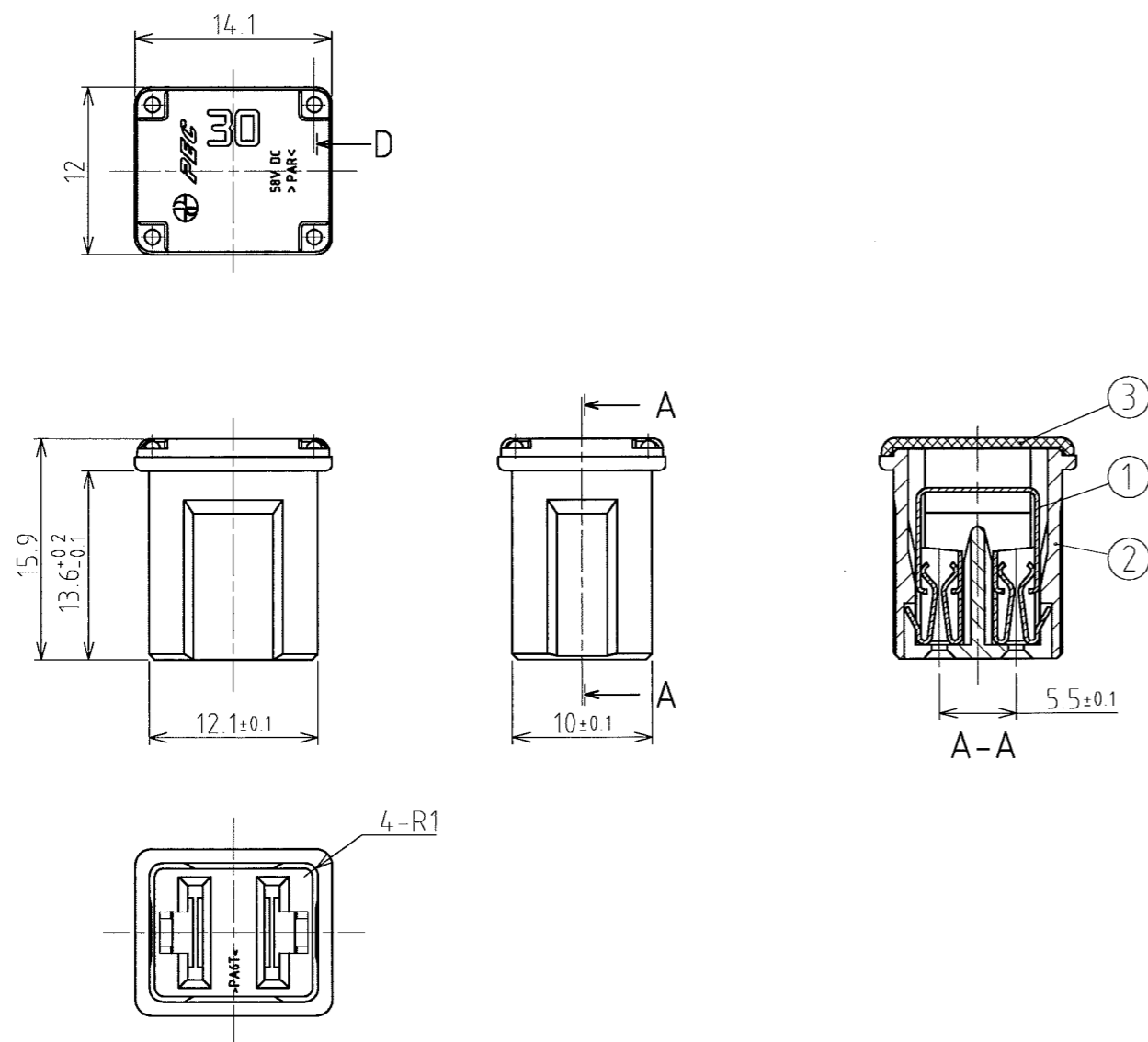


NO.	DATE	REVISION RECORD	SIGN	E.C.N.NO.



<注記>

- 1.本図はSBFC-LPJ 30Aを示し、他の定格は容量表示とハウジング色が異なる。
- 2.定格表示の位置は図面指示部または加-を180°回転させた図面指示部とする。

< NOTES >

1. THIS SHOWS SBFC-LPJ 30A, ANOTHER IS DIFFERENT IN HOUSING COLOR AND INDICATION OF COVER.
2. AMPERE RATING SHALL BE MARKED EITHER ON THE INDICATED POSITION IN THIS DRAWING OR THE SAME POSITION WHEN THE COVER IS REVOLVED BY 180°.

CURRENT RATING(A)	PART NO.	HOUSING COLOR CODE
20A	3422-0011	LIGHT BLUE
25A	3472-0011	WHITE
30A	3432-0011	PINK
40A	3442-0011	GREEN
50A	3452-0011	RED
60A	3462-0011	YELLOW

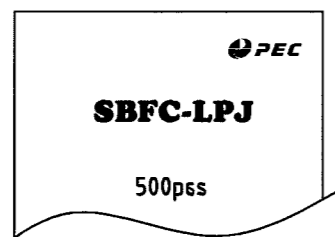

NUMBER	PART NUMBER	PART NAME	Q'TY	MATERIAL	SIZE	REMARKS
3		COVER	1	PAR		
2		HOUSING	1	PAGT		
1		ELEMENT	1	Cu Alloy		

APPROVED	<i>[Signature]</i>	DATE	16.06.13	MATERIAL	DIMENSION TOLERANCE	ANGULAR TOLERANCE
CHECKED	<i>ml</i>	DATE	May. 6. '13		±0.3	
DESIGNED	<i>J. Kobayashi</i>	DATE	Apr. 26. '13	COAXIAL TOLERANCE	FINISH	RUST PREVENTION
DRAWN	<i>M. Saumasa</i>	DATE				
SCALE	2:1	UNIT	mm	DIAGRAM METHOD	THIRD ANGLE PROJECTION	
DRAWING DATE	'13.04.26	DRAWING NAME	G3422-0-2	PART NAME	SBFC-LPJ Page1	
				PART NO.		

Pacific Engineering Corporation

NO.	DATE	REVISION RECORD	SIGN	E.C.N.NO.

包装包装 Packaging specification

	内装 Inner packaging	外装 Outer packaging
包装材 Material	SBFC-LPJ用ビニール袋 Plastic bag (0.07×230×285)	V-7-III・CSダンボール Cardboard box (390×260×105)
品番シール seal of part no.		ID tag
表示 Marking	 <p>文字色は黒色 Character color:Black</p>	
収容数 Capacity	500pcs	4 bags(2,000pcs)
方法 Method	<p>1. ビニール袋に、製品500ヶを入れる。 2. 段ボール箱にビニール袋を横に2列並べ、それを2段積んで計4袋入れる。 3. 段ボールのフタをPPテープにて止め、ダンボールの側面(現品票貼り付け位置)に現品票を貼る。</p> <p>1. Put 500pcs. into the specified plastic bag. 2. Arrange two plastic bags in a cardboard box and pile up them one more step. Totaly, 4 bags are put in the cardboad box. 3. Seal the cardboard box with PP Tape and put the ID tag on the side of the box (Prescribed place).</p>	

packaging information

NUMBER	PART NUMBER	PART NAME	Q'TY	MATERIAL	SIZE	REMARKS
APPROVED	<i>[Signature]</i>	DATE	<i>May. 06 '13</i>	MATERIAL	DIMENSION TOLERANCE	ANGULAR TOLERANCE
CHECKED	<i>m l</i>	DATE	<i>May. 6 '13</i>	SEE TABLE	±0.3	
DESIGNED	<i>J. Kobayashi</i>	DATE	<i>Apr. 26. '13</i>	COAXIAL TOLERANCE	FINISH	RUST PREVENTION
DRAWN	<i>M. Tsunomaki</i>	DATE				
SCALE	2:1	UNIT	mm	DIAGRAM METHOD	THIRD ANGLE PROJECTION	
DRAWING DATE	'13.04.26	DRAWING NAME	G3422-0-2	PART NAME	SBFC-LPJ Page2	
				PART NO.	SEE TABLE	

Pacific Engineering Corporation