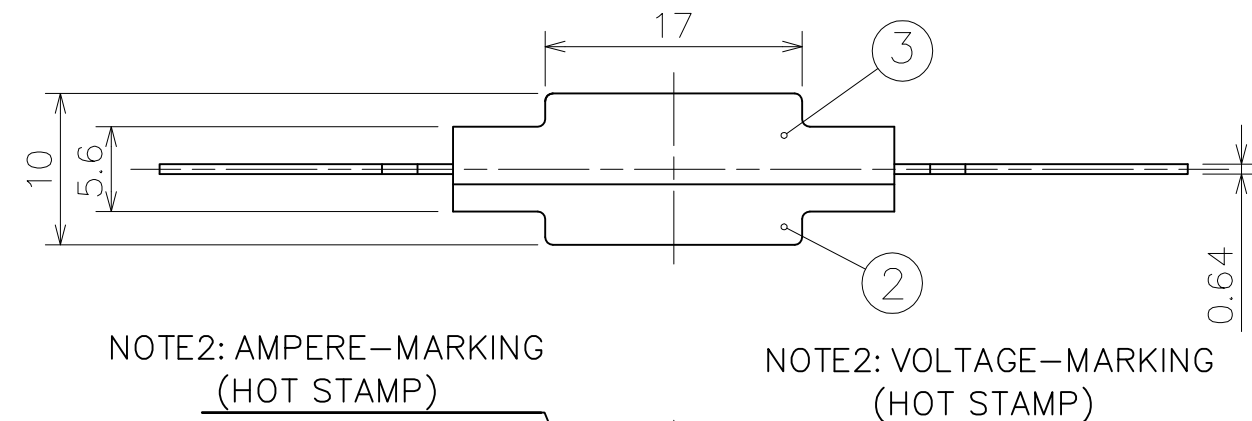
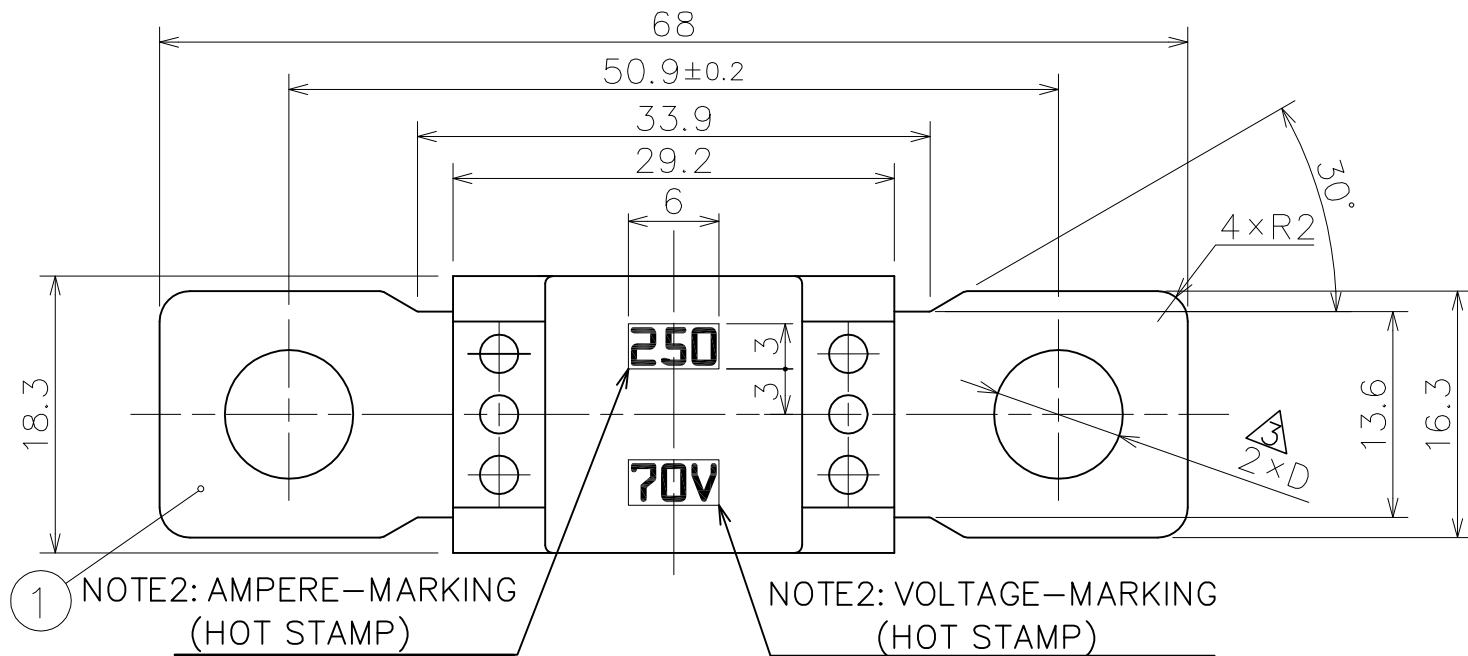
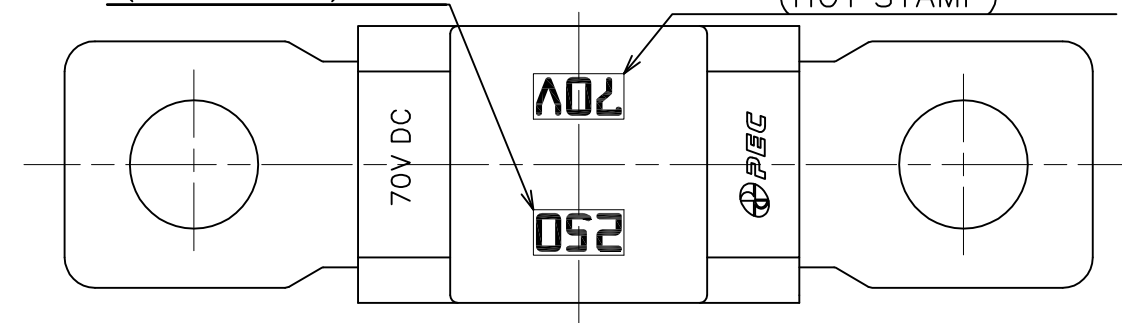


NO.	DATE	REVISION RECORDS	REVISED	REVISION NO.
△	04/JUL/17	ADDING RATED CURRENT 60A.DELETE RATED CURRENT 275A	—	—
△	04/SEP/17	CHANGING HOLE DIMENSION	—	—
△	12/MAR/18	CHANGING HOT STAMP TAPE COLOR(60A,100A,175A)	—	—



NOTE2: AMPERE-MARKING (HOT STAMP)

NOTE2: VOLTAGE-MARKING (HOT STAMP)



CURRENT RATING	△SBFW-K48V-M6(D=φ6.5 <sup>+0.1</sup> )		△SBFW-K48V-M8(D=φ8.5 <sup>+0.2</sup> )		COLOR CODE	△HOT STAMP TAPE COLOR
	PART NO.	PACKAGING PART NO.	PART NO.	PACKAGING PART NO.		
60A	△ 3094 0010	△ 3094 0011	△ 3090 0010	△ 3090 0011	LIGHT BLUE	BLACK
80A	3003 0000	3003 0001	3001 0000	3001 0001	RED	WHITE
100A	△ 3013 0010	△ 3013 0011	△ 3011 0010	△ 3011 0011	YELLOW	BLACK
125A	3023 0000	3023 0001	3021 0000	3021 0001	GREEN	WHITE
150A	3033 0000	3033 0001	3031 0000	3031 0001	ORANGE	WHITE
175A	△ 3043 0010	△ 3043 0011	△ 3041 0010	△ 3041 0011	WHITE	BLACK
200A	3053 0000	3053 0001	3051 0000	3051 0001	BLUE	WHITE
225A	△ 3063 0010	△ 3063 0011	3061 0000	3061 0001	LIGHT BROWN	WHITE
250A	3073 0000	3073 0001	3071 0000	3071 0001	PINK	WHITE
300A	3093 0000	3093 0001	3091 0000	3091 0001	GRAY	WHITE
350A	3004 0000	3004 0001	3002 0000	3002 0001	DARK GREEN	WHITE
400A	3014 0000	3014 0001	3012 0000	3012 0001	VIOLET	WHITE
450A	3024 0000	3024 0001	3022 0000	3022 0001	DARK YELLOW	WHITE
500A	3034 0000	3034 0001	3032 0000	3032 0001	BROWN	WHITE

<注記>

- 1.本図はSBFW-K48V 250Aを示し、他の定格は容量表示とハウジング色が異なる。
- 2.図示の位置に定格電流、定格電圧を表示し、表示位置は図面指示またはハウジングを180°回転させた図面指示とする。
- △3.容量表示はホットスタンプとし、色は表を参照。表示文字はANSI X3.17-1981とする。
- 4.太平洋精工規定(PES-02-04)の環境負荷物質の使用禁止、制限規定を遵守すること。
- 5.規格は PES-A68-018に準拠する。 定格電圧：DC 70V 定格遮断容量：2500A

<NOTES>

- 1.THIS SHOWS SBFW-K48V 250A,ANOTHER IS DIFFERENT IN HOUSING COLOR AND INDICATION OF AMPERE RATING.
- 2.FUSE AMPERE AND RATED VOLTAGE SHALL BE MARKED EITHER ON THE INDICATED POSITION IN THIS DRAWING OR THE SAME POSITION WHEN THE HOUSING IS REVOLVED BY 180°.
- △3.AMPERE RATINGS MARKED BY STAMP AT SPECIFIED POINT. REFER TO THE TABLE FOR HOT STAMP TAPE COLOR. AMPERE RATINGS SHALL BE MARKED IN ACCORDANCE WITH ANSI X3.17-1981
- 4.COMPLY WITH ENVIRONMENTAL RESTRICTION AND PROHIBITION WHICH PRESCRIBED UNDER "PES-02-04".
- 5.SPEC IS BASED ON PES-A68-018. RATED VOLTAGE:DC 70V BREAKING CAPACITY:2500A

3	—	HOUSING2	1	P A 6 T	—	
2	—	HOUSING1	1	P A 6 T	—	
1	—	ELEMENT	1	C U A L L O Y	—	TIN PLATING
NO.	PART NO.	PART NAME	Q'TY	MATERIAL	SIZE	REMARKS

APPROVED	<i>morioka</i>	DIMENSION TOLERANCE	ANGULAR TOLERANCE	FINISH
CHECKED	<i>T. Kobayashi Y. Furuya</i>	±0.3	—	—
DESIGNED	<i>k. morishita</i>	RUST PREVENTION	MATERIAL	
DRAWN	<i>k. morishita</i>	—	SEE TABLE	

SCALE	UNIT	DIAGRAM METHOD	PART NAME
2:1	mm	THIRD ANGLE PROJECTION	SBFW-K48V-M6 SBFW-K48V-M8
DRAWING DATE	DRAWING NAME	3D CAD DATA	PART NO.
12/MAR/2018	G3001-0-4	—	SEE TABLE

**Pacific Engineering Corporation**

SHEET	SIZE
1 / 2	A3

NO.	DATE	REVISION RECORDS	REVISED	REVISION NO.
		REFER TO (1/2)		

包装仕様 PACKAGING SPECIFICATION

包装内容 PACKAGING INFORMATION		内装 INNER PACKAGING	外装 OUTER PACKAGING
	包装材 MATERIAL	PLASTIC BAG(230×285) SOLID COLOR	CARDBOARD BOX (260×390×105)
	品番シール SEAL OF PART No.	—	現品票 ID TAG
	表示 MARKING	—	
	収容数 CAPACITY	100 PCS.	400 PCS.
包装内容 METHOD	<p>1. 指定のビニール袋に製品を100個 入れ、熱溶着する。 2. 段ボール箱に 製品を入れたビニール袋を2列×2段 積んで入れる。 3. 段ボール箱の蓋をPPテープで止め、ダンボール箱の側面に現品票を貼る。</p> <p>1. PUT 100 PCS. INTO THE PLASTIC BAG. 2. ARRANGE TWO PLASTIC BAGS IN A CARDBOARD BOX AND PILE UP THEM ONE MORE STEPS. 3. SEAL THE CARDBOARD BOX WITH PP TAPE AND PUT THE ID TAG ON THE SIDE OF THE BOX.</p>		

APPROVED	<i>mori-shita</i>	DIMENSION TOLERANCE	ANGULAR TOLERANCE	FINISH	
CHECKED	<i>T. Kobayashi Y. Kurogi</i>	—	—	—	
DESIGNED	<i>k. morishita</i>	RUST PREVENTION	MATERIAL		
DRAWN	<i>k. morishita</i>	—	—		
SCALE	UNIT	DIAGRAM METHOD	PART NAME		
2:1	mm	THIRD ANGLE PROJECTION	SBFW-K48V-M6 SBFW-K48V-M8		
DRAWING DATE	DRAWING NAME	3D CAD DATA	PART NO.		
12/MAR/2017	G3001-0-4	—	SEE TABLE		
<b>Pacific Engineering Corporation</b>				SHEET	SIZE
				2 / 2	A3