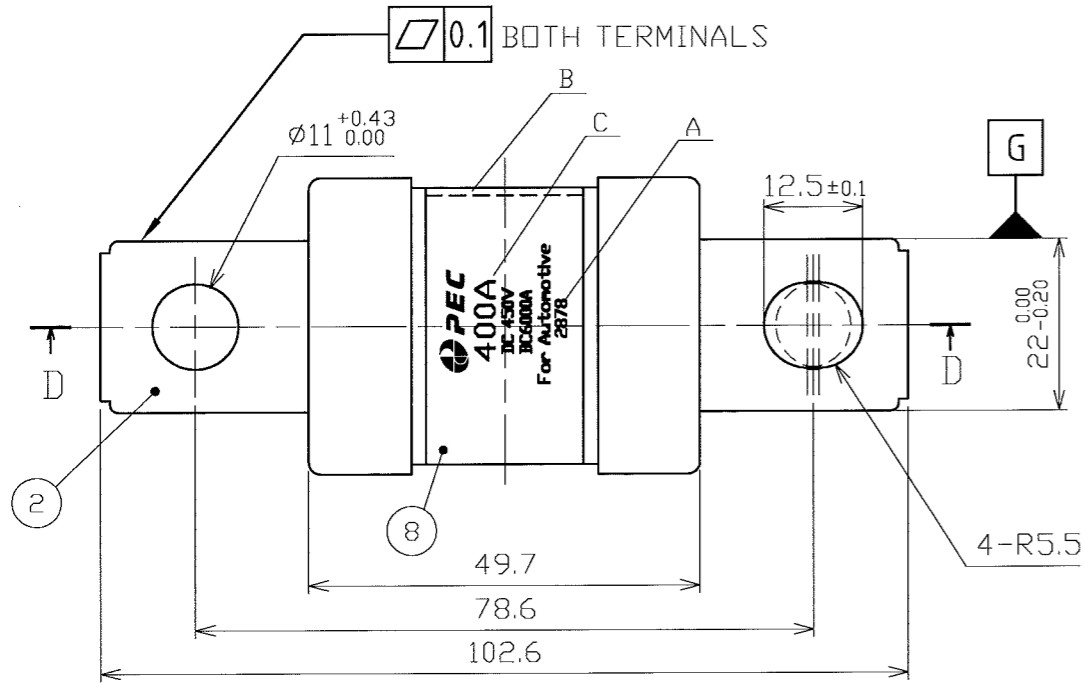


NO.	DATE	REVISION RECORD	SIGN	E.C.N.NO.
	01-Nov-2010	Newly established		
①	27-Dec-2012	Part name Change		
②	04-Mar-2013	Add packaging specification.		



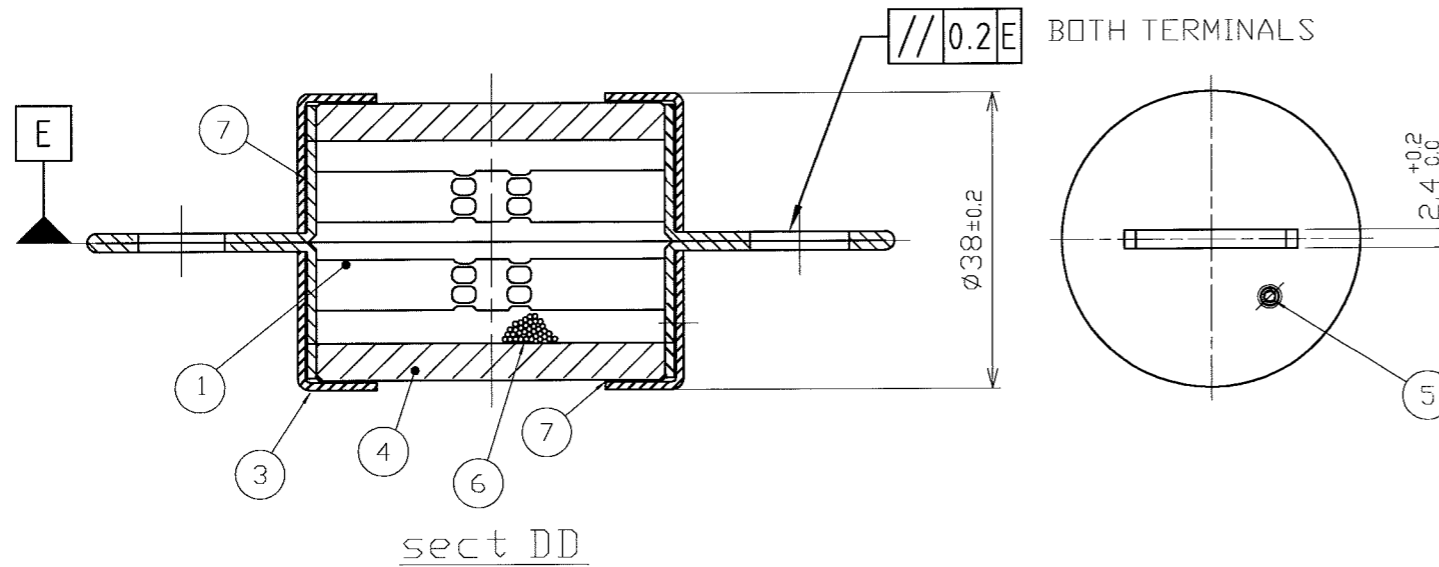
Specifications

1. Rated Voltage: 450V DC
2. Breaking capacity: 6000A
3. Operating temperature limit: -40°C...125°C
4. Storage temperature limit: -40°C...85°C
5. Fuse fixing bolts: M10
6. Fuse performance is based on PES-A52-017.

Note

1. The drawing on the left shows 400A fuse.
2. "A" portion: first 4 digits of PEC's part no.
3. "B" portion: product lot no
4. "C" portion: rated current.
5. Period "." of decimal character means comma",,."

Rated current	Part No.
300A	2876-0001
350A	2877-0001
400A	2878-0011



NUMBER	PART NUMBER	PART NAME	Q'TY	MATERIAL	SIZE	REMARKS
8	---	Label	1	Polyester	---	---
7	---	Adhesive	---	Silica	---	---
6	---	Arc-extinguishing Sand	---	Silica	---	---
5	---	Screw	1	Stainless	---	---
4	---	Case	1	Ceramics	---	---
3	---	Cap	2	Brass	---	Galvanic nickel coating
2	---	Element	2	Copper	---	Galvanic nickel coating
1	---	Terminal	4	Copper	---	---

APPROVED	<i>[Signature]</i>	DATE	Mar. 17. '13	MATERIAL	DIMENSION TOLERANCE	ANGULAR TOLERANCE
CHECKED	<i>[Signature]</i>	DATE	07. Mar. 2013	SEE TABLE	±0.5	---
DESIGNED	<i>M. Ando</i>	DATE	05-Mar-2013	COAXIAL TOLERANCE	FINISH	RUST PREVENTION
DRAWN	<i>M. Ando</i>	DATE	05-Mar-2013			
SCALE	1:1	UNIT	mm	DIAGRAM METHOD	THIRD ANGLE PROJECTION	
DRAWING DATE	05-Mar-2013	DRAWING NAME	G2878-0-2	PART NAME	① EVFC-φ38 page1	
				PART NO.	SEE TABLE	

△ 包装包装 Packaging specification

	内装 Inner packaging	外装 Outer packaging
包装材 Material	包装用トレイ Transparent tray	V7ダンボール Cardboard box (390×260×175)
品番シール seal of part no.		ID tag
表示 Marking		
収容数 Capacity	10pcs	40pcs
重量 Weight	1,8kg	7,8kg
方法 Method	<p>1.包装用トレイにヒューズを詰める。 2.段ボールにPEシートを敷く。 (PEシート品番:19045 0.02×1000×1300) 3.ヒューズを詰めたトレイを4段積みで詰める。 4.シートで包んでから一番上にパッドをのせる。 5.OPPテープで封をする。 6.段ボール側面(現品票貼り付け位置)に現品票を貼る。 出荷の再には箱外周の表示のない部分に必ず「割れ物注意」の表示又はシール(運送会社等の物で可)を貼る事。</p> <p>1.Put the fuses into the tray. 2.Spread the PE sheet in the cardboard box. 3.Stack the tray filled with fuses in 4 layers and put them into the box. 4.Wrap them by the sheet and put a pad on the top. 5.Seal the box by tape. 6.Put ID tag on the side of cardboard box. Put "Fragile" indication stamp or label on the box.</p>	

packaging information

NO.	DATE	REVISION RECORD	SIGN	E.C.N.NO.
	01-Nov-2010	Newly established		
△	27-Dec-2012	Part name Change		
△	04-Mar-2013	Add packaging specification.		

NUMBER	PART NUMBER	PART NAME	Q'TY	MATERIAL	SIZE	REMARKS
APPROVED	<i>[Signature]</i>	DATE	Mar. 11. 13	MATERIAL	DIMENSION TOLERANCE	ANGULAR TOLERANCE
CHECKED	<i>[Signature]</i>	DATE	07. Mar. 2013	SEE TABLE	±0.5	—
DESIGNED	<i>[Signature]</i>	DATE	05. Mar. 2012	COAXIAL TOLERANCE	FINISH	RUST PREVENTION
DRAWN	<i>[Signature]</i>	DATE	05. Mar. 2013			
SCALE	1:1	UNIT	mm	DIAGRAM METHOD	THIRD ANGLE PROJECTION	
DRAWING DATE			DRAWING NAME			PART NAME
05-Mar-2013			G2878-0-2			△ EVFC-φ38 page2
				PART NO. SEE TABLE		

Pacific Engineering Corporation